

## Solid State Relay

### EPI240 Series Single Phase AC Output

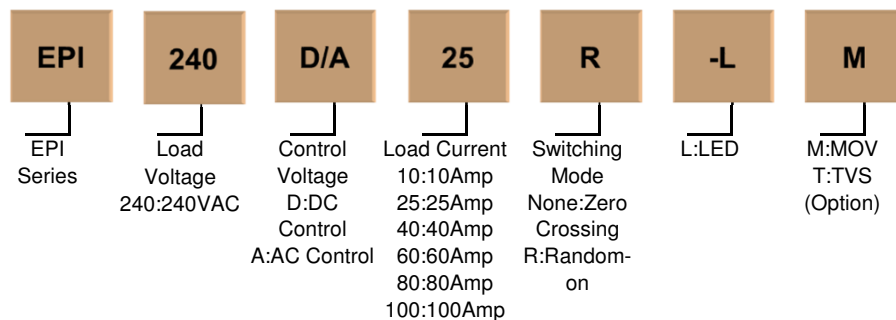


- Zero switching or random-on
- Ratings from 10A to 100A @ 48-280VAC
- Triac or SCR output for heavy industrial loads
- AC or DC input
- Superior thermal performance
- Dielectric strength 4000VACrms
- LED indication
- Internal RC/MOV and TVS protection circuit as option

#### Product Description

EPI240 series industrial single phase relay with triac or SCR output is the most widely used in industry application. The relay can be used for resistive, inductive and capacitive loads. The control input voltage is 4-32VDC or 90-280VAC, output current rate 10A, 25A, 40A, 60A, 80A, 100A @ 48-280VAC.

#### Product Selection



Description	10A	25A	40A	60A	80A	100A
D:4-32VDC	EPI240D10	EPI240D25	EPI240D40	EPI240D60	EPI240D80	EPI240D100
	EPI240D10R	EPI240D25R	EPI240D40R	EPI240D60R	EPI240D80R	EPI240D100R
AC:90-280VAC	EPI240A10	EPI240A25	EPI240A40	EPI240A60	EPI240A80	EPI240A100

#### Technical Specification

##### Input Circuit

Control Voltage Range	DC Input	4-32VDC
	AC Input	90-280VAC
Minimum Turn-On Voltage	DC Input	4VDC
	AC Input	90VAC
Minimum Turn-Off Voltage	DC Input	1VDC
	AC Input	10VAC
Maximum Input Current	DC Input	25mA
	AC Input	10mA

##### Output Circuit

Load Voltage Range	48-280VAC	
Maximum Turn-On Time	DC Input Random-On	1ms
	DC Input Zero-On	1/2AC Cycle + 1ms

	AC Input	20ms
Maximum Turn-Off Time	DC Input	1/2AC Cycle + 1ms
	AC Input	40ms
Maximum Surge Current [@10ms]	10A	150A
	25A	400A
	40A	440A
	60A	860A
	80A	1280A
	100A	1550A
Maximum I <sup>2</sup> t For Fusing [@10ms]	10A	350A <sup>2</sup> S
	25A	900A <sup>2</sup> S
	40A	970A <sup>2</sup> S
	60A	3698A <sup>2</sup> S
	80A	8192A <sup>2</sup> S
	100A	12012A <sup>2</sup> S
Transient Overvoltage		600Vpk
Maximum Off-State Leakage Current [ @ Rated Voltage]		5mA
Maximum On-State Voltage Drop [ @ Rated Current]		1.6Vrms
Minimum Off-State dv/dt [ @ Maximum Rated Voltage]		500V/μs

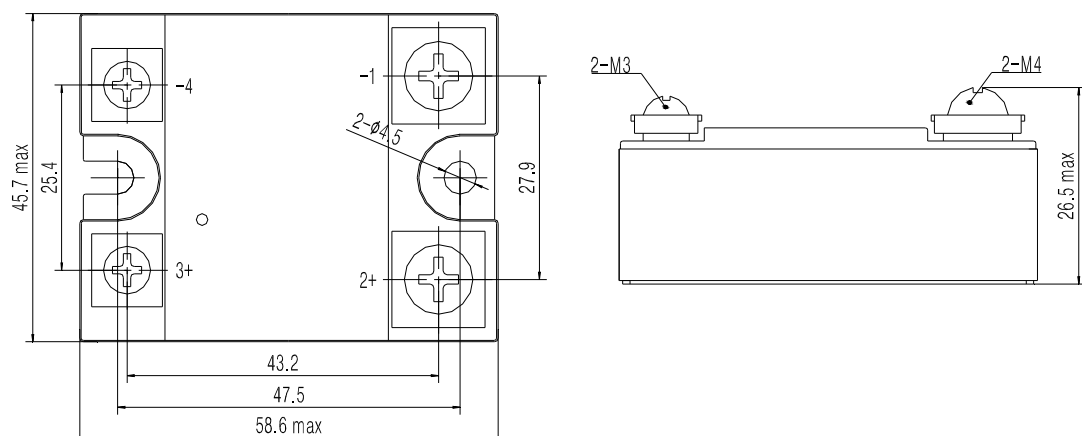
### General Information

Dielectric Strength[50/60Hz]	Input/Output	≥4000Vrms
	Output/Base	≥2500Vrms
Ambient Operating Temperature Range		-30°C ~ +80°C
Ambient Storage Temperature Range		-30°C ~ +100°C
Weight [typical]		85g

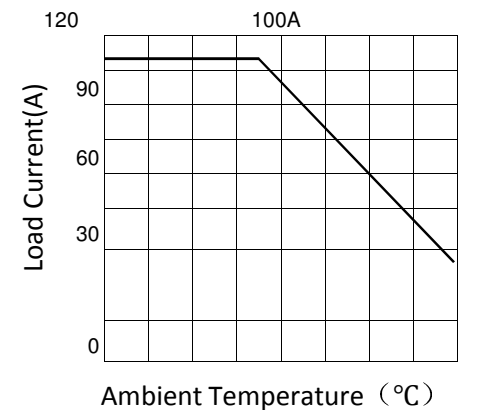
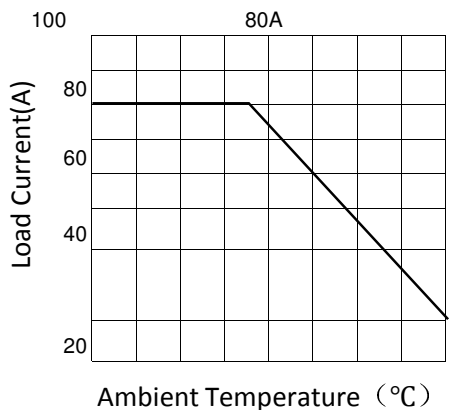
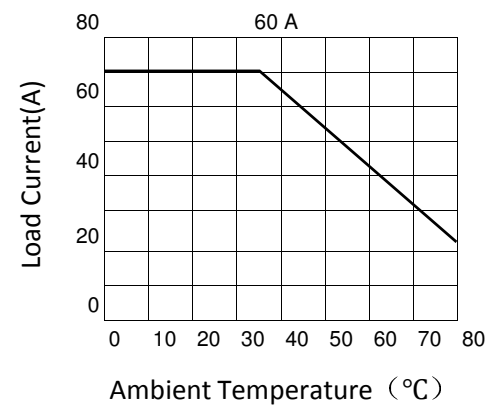
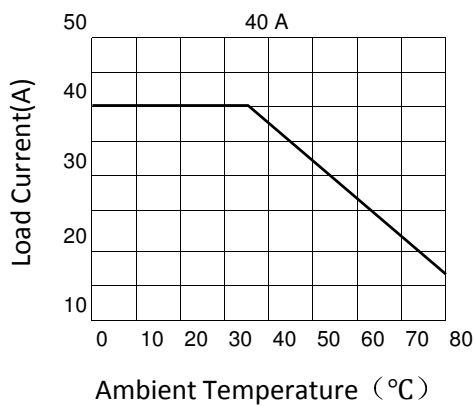
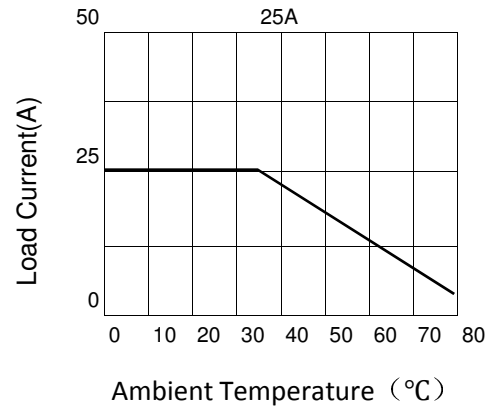
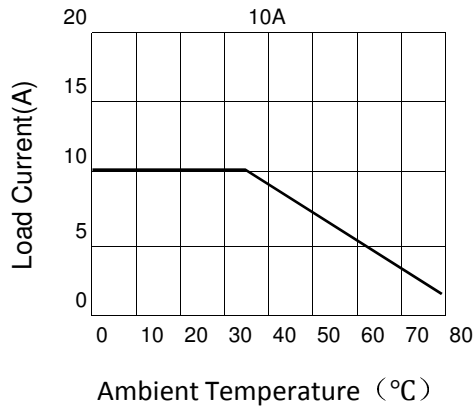
### Application

High-low Temperature Chamber, Plastics Machinery, Incubation Machine, Oiling Machine, HVAC, Elevator, Lighting, Fountain Controller.

### Installation



## Thermal Curve



## Important Notice

1. When the ambient temperature is over 40°C or many EPI series are installed closely together, the user should take load discount into account according to the thermal curve.
2. If the load current is over 10A, suitable heatsink should be added to the SSR.

## Product Certification



@ELTWIN A/S, All Right Reserved

Eltwin A/S  
www.eltwin.dk