

SERIES 2000 STORAGE WATER HEATERS

2000 Series Unvented Water Heaters

The 2000 Series water heaters provide large quantities of stored water at balanced pressure making them suitable for supplying sports clubs, hotels, hospitals, restaurants, nursing homes and leisure centres.

Unvented water heaters are connected directly onto the incoming cold water mains or pressure set, therefore they can be located virtually anywhere on site because they are not dependent on feed and expansion tanks.

Fields of Application

- Sports clubs
- Leisure centres
- Hotels
- Restaurants
- Hospitals
- Nursing homes

Benefits of an Unvented System

- Choice of location within the building(s)
- Provides balanced water pressure at all outlets
- Easy to install - less pipework
- Less chance of contamination as the system is sealed
- Requires less space than a vented system, i.e. no header tanks

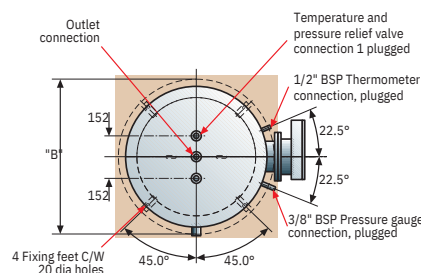
Technical specification

General Notes:

- Material - inner container duplex stainless steel
- Outer casing - white Platisol
- Insulation - CFC free polyurethane foam
- Heating elements - corrosion resistant Incoloy
- Inlet pressure between 1 and 16 Bar
- Maximum working pressure 6 Bar
- Hydraulic test pressure 9.0 Bar

Loose fittings:

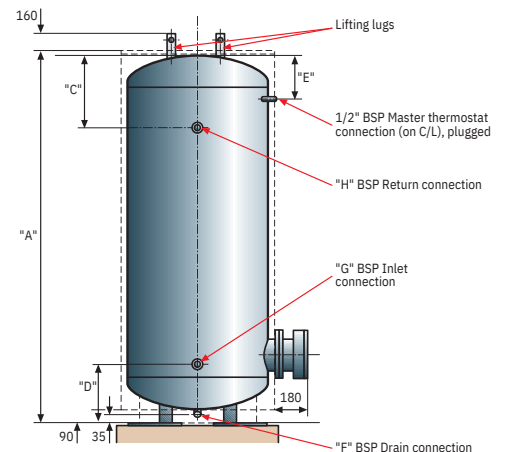
- Expansion vessel + relief valve
- Pressure reducing valve + check valve
- Temperature & pressure relief valve



2000 Series Storage Water Heaters

Features of the 2000 Series

- Capacities from 450 to 3000 litres
- Hard wearing Platisol outer skin
- Expansion kit supplied
- secondary return fitted as standard
- Indirect and direct units available
- Stainless steel primary coil on indirect units
- Working pressures of up to 6 bar g
- Low loss CFC/HCFC free foam insulation. Ozone depletion factor zero
- Non-corrosive duplex stainless steel water chamber therefore no sacrificial anodes required
- Individual immersion heaters from 6 to 54kW (multiple heaters available)
- Control panels available, incorporating our latest smart digital controller



2000 Series Solar Water Heaters

The 2000 Series range has been enhanced by the addition of dedicated solar vessels to take advantage of renewable energy from the sun. The cylinders are available as single coil preheat, single coil with direct electric heating, or twin coil units for use with renewable and traditional primary heating sources.

The 2000 Series Solar range benefits from the use of high efficiency corrugated coil technology.

Features of the 2000 Series Solar

- Capacities from 450 to 3000 litres
- Single coil solar preheat vessels
- Single coil plus Direct Electric heating
- Twin coil
- High efficiency corrugated coils



2000 Series Solar Water Heaters

