

8.03.01 Terminal box K31A



>> Description

Terminal box in plastic with 3-pole combi-thermostat, for use together with Backer's 1¼"-2" element heads. The box can be rotated to obtain suitable location of the cable inlet. Together with our pressed element head 1,5" the product is protection classed IP65.

>> Technical specification

Article number 1150666001

Material Plastic ABS-V0

Dimension 90 x 90 x 115 mm

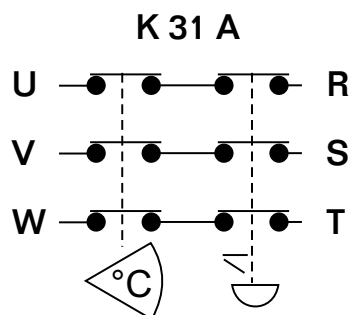
Combi thermostat Thermostat 25-85°C

Thermal cut-off 110°C

Surrounding temp. Max. 75°C

Protection class IP65 (with pressed 1,5" element head)

Breaking capacity 20 A at max 400 V



Wiring diagram

Terminal box K31A

>> Benefits

- Compact measurements of the box thanks to combi-thermostat
- Thermal cut-off restettable from outside the box
- Easy access to the cable inlet



Immersion heater with terminal box