

1.02.02 Finned elements

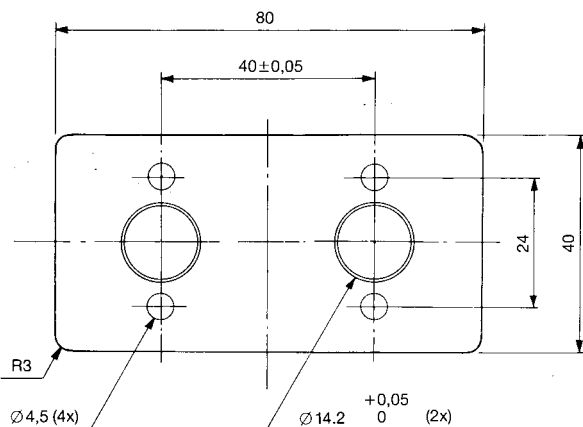
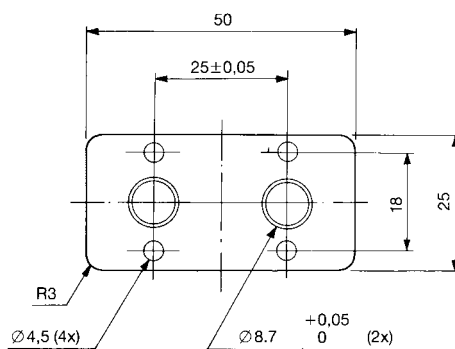


>> Description

Heating element with diam 8.5 mm and 14 mm can be fitted with fins to increase their heat dissipation surfaces. Fins are available in steel for soldering or in aluzinc for press-fitting to tubular elements of 8.5 mm diam. Fins in aluzinc are available for tight-fitting to element of 14 mm diam.

>> Technical specification

Material	Steel – Grade D Stainless steel: AISI 304/EN1.4301 AISI 316L/EN 1.4404 Incoloy 800/EN 1.4876 R 323/EN1.4828 Bricks in aluzink
Dimension	Brick dimension 50 x 25 mm, 80 x 40 mm
Mounting into application	Nipples, fixing plate etc. acc. to customer spec.
Connection	M4, cables, flat pin acc. to customer spec
Designs	One- or two-end connection
Voltage	Max 600 V
Safety	The elements meet requirements acc. to EN 60335-1
Others	Can be soldered for higher performance



Dimensiones.



Finned elements

>> Benefits

- Reduced surface temperature
- Increased radiation area
- Compact design of application possible

>> Fields of application

- Radiators
- Heat curtains
- Convectors
- Frost protection