

Solid State Relay Accessory Protection Cover



- Apply for EPI, EPJ single phase
- Dimension: 57.5 * 44.6 * 24 mm
- Weight: 9.3 g

Product Selection



EPC

EPC
Series



-0

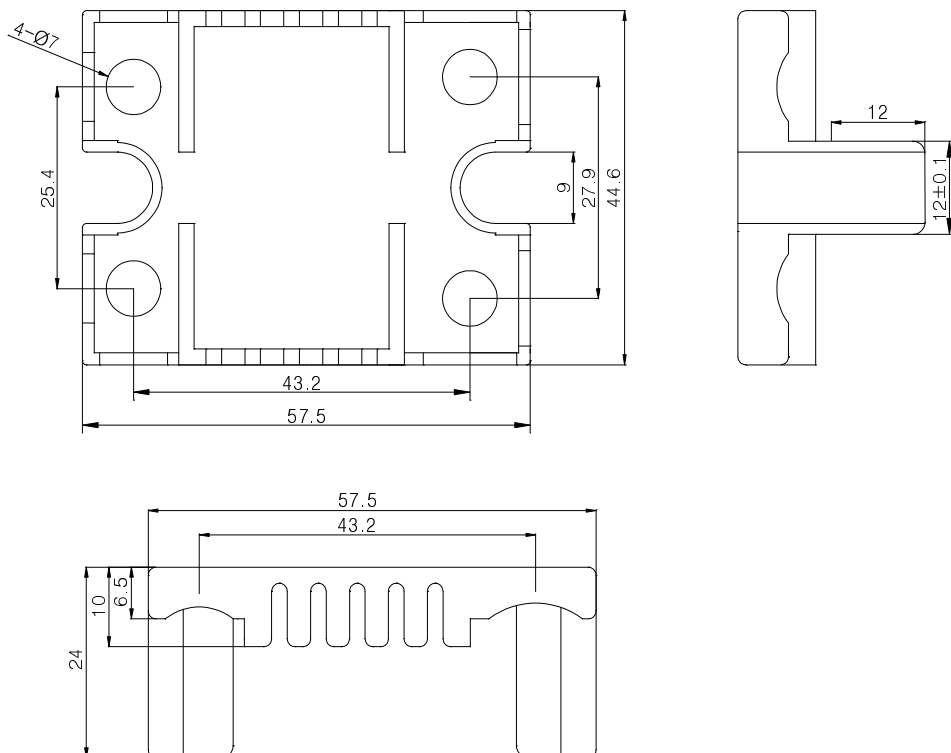
0:Single Phase Type



A

Series
Number

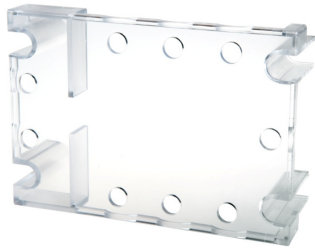
EPC-0A (mm)



@EILTWIN A/S, All Right Reserved

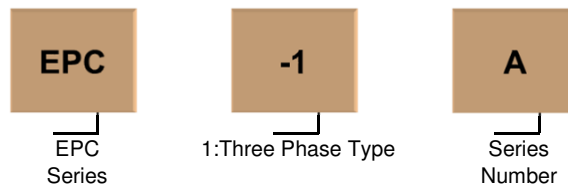
Eltwin A/S
www.eltwin.dk

Solid State Relay Accessory Protection Cover

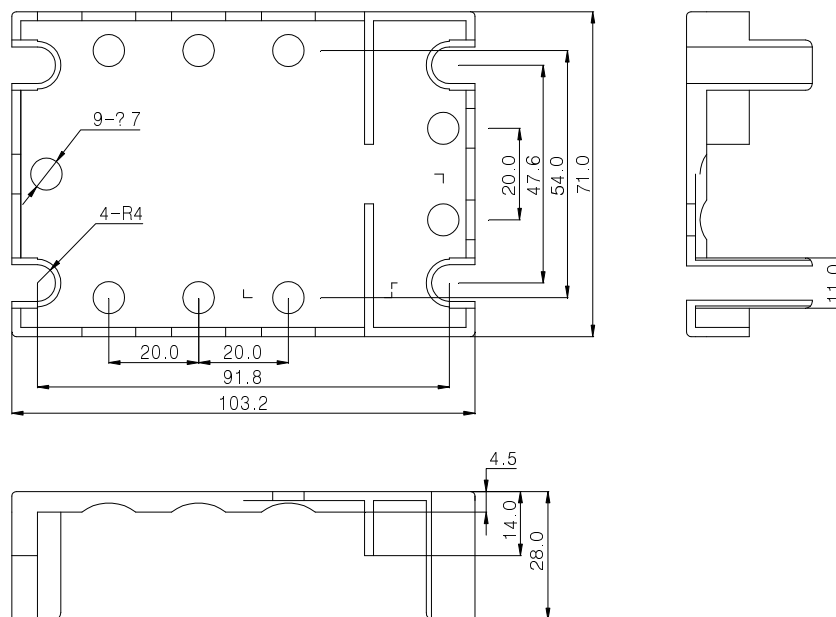


- Apply for EPT, EPQ three phase
- Dimension: 103.2 * 71 * 28 mm
- Weight: 25 g

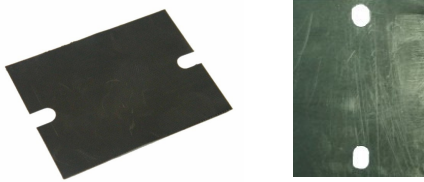
Product Selection



EPC-1A (mm)



Solid State Relay Accessory Thermal Pad



- Low thermal resistance
- EPP-0(A) apply for EPI, EPJ single phase
- EPP-1(A) apply for EPS, EPT, EPTY, EPQ, EPQC three phase
- Adhesive on one side(option)
- Silicon resin / glass fiber

Product Selection



EPP

EPP Series



-0

0: Single Phase
1: Three Phase



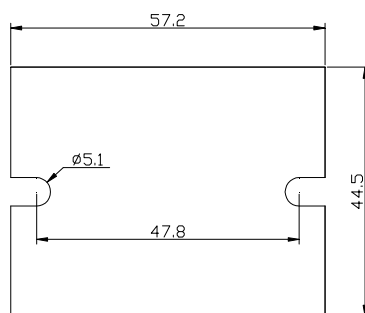
A

A: Adhesive on one side
None: Without Adhesive

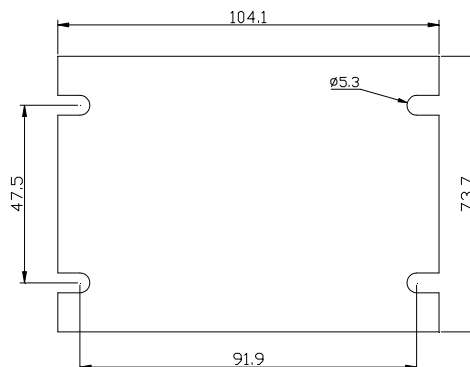
Technical Specification

Color	Black	
Thickness	0.005mm	
Adhesive One Side	Yes	
Thermal Resistance	EPP-0(A)	0.48°C-in ² //W@25 psi
	EPP-1(A)	0.48°C-in ² //W@25 psi
Thermal Conductivity	2.0W/m-K	
Flame Rating	V-O	
Continuous Temperature Range	-60°C ~180°C	
Weight (typical)	EPP-0(A)	0.4g
	EPP-1(A)	0.9g

Installation



EPP-0(A)



EPP-1(A)

Product Certification



@ELTWIN A/S, All Right Reserved